

P:\SW-Tek\Lotus 8200\

| | |
|----------------|------------------|
| Drawn by: KA | Date: 19-10-2023 |
| Revised: 1 /KA | Date: 31-07-2024 |
| Revised: - /KA | Date: - |

Overview parts Lotus

Copyright reserved
by law

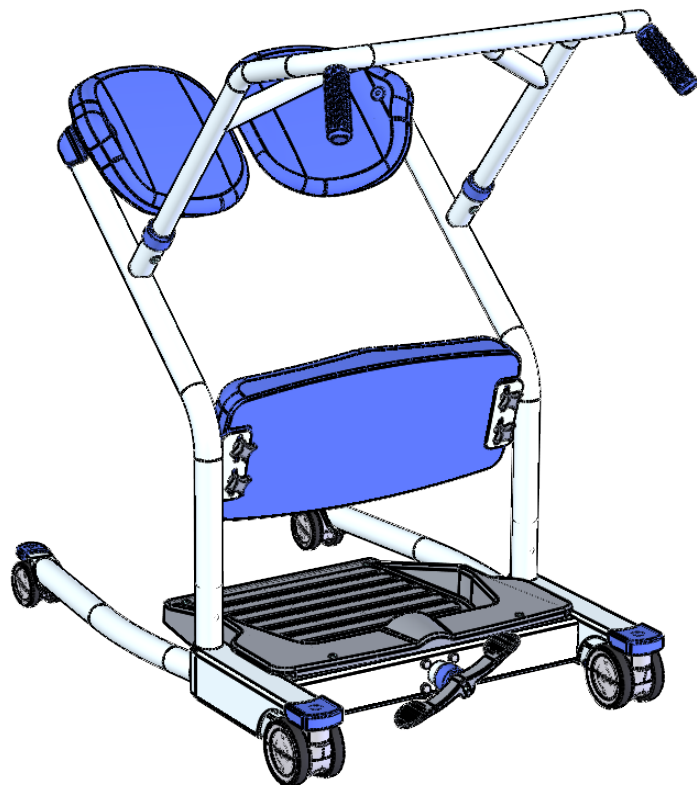
Unit of measure-
ment: mm

Lopital Nederland bv

Draw. no.: 8200-EV.1

Lotus, Article no: 59008200

| Part no. | Art.no. | QTY. | Name | Material | Drawing nr. |
|----------|----------|------|--|---------------|-------------------------------|
| 1 | 70820001 | 1 | Chassis complete | | 8200-Chassis complete |
| 2 | 70820002 | 1 | Seat frame (set) | | 8200-12.2 |
| 3 | 70820003 | 1 | Frame handgrip | | 8200-14.1 |
| 4 | 70820004 | 2 | Seat shell | BKV | 8200-21 |
| 5 | 70820005 | 2 | Cap | LDPE | 8200-22 |
| 6 | 70820012 | 2 | Cap (Set with bearingbush) | PP | 8200-23.1 |
| 7 | 70820006 | 1 | Foot Plate | ABS | 8200-24 |
| 8 | 70820009 | 2 | Tube cap | Adflex X100 G | 8200-27 |
| 9 | 70820010 | 1 | Knee support | PU 25 shore | 8200-30.2 |
| 10 | 70820019 | 4 | Lobe knob | PA grijs | Kruisknop M6 |
| 11 | 70560049 | 2 | Handgrip | PUR | 5600-33.1 |
| 12 | | 2 | Countersunk cross slotted screw M6x10 | A2 | M6x10 DIN965 |
| 13 | | 4 | Button head screw M8x16, Dry-loc+Lurinox | A2 | M8x16 ISO7380 Dry-loc+Lurinox |
| 14 | | 2 | Button head screw M8x20 flange | A2 | M8x20 ISO7380 Kraag |
| 15 | | 4 | Nut cap M6 | PE (wit) | Moerkap M6 |
| 16 | | 2 | Countersunk cross slotted screw M6x20 | A2 | M6x20 DIN965 A |
| 17 | | 2 | Countersunk cross slotted screw M6x35 | A2 | M6x35 DIN965 A |



| | |
|----------------|------------------|
| Drawn by: KA | Date: 19-10-2023 |
| Revised: 1 /KA | Date: 31-07-2024 |
| Revised: - /KA | Date: - |

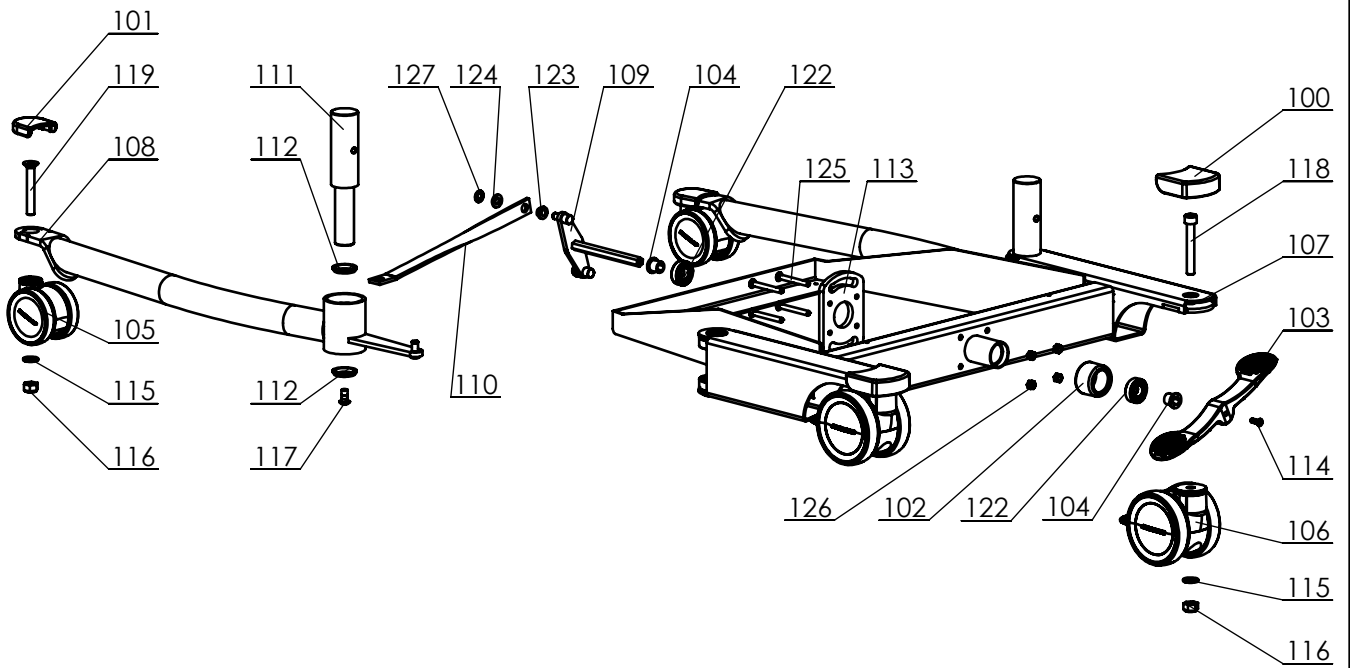
Overview parts Lotus

Copyright reserved
by law

Unit of measure-
ment: mm

Lopital Nederland bv

Draw. no.: 8200-EV.1



P:\SW-Ftek\Lotus 8200\

| | |
|----------------|------------------|
| Drawn by: KA | Date: 19-10-2023 |
| Revised: 1 /KA | Date: 31-07-2024 |
| Revised: - /KA | Date: - |

Overview parts Lotus

Copyright reserved by law

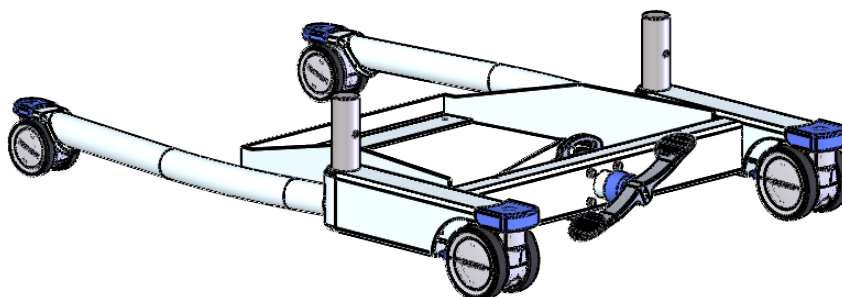
Unit of measurement: mm

Lopital Nederland bv

Draw. no.: 8200-EV.1

Chassis complete, Article no.: 70820001

| Part no. | Art.no. | QTY. | Name | Material | Drawing nr. |
|----------|----------|------|--|---------------|-------------------------------|
| 100 | 70820008 | 2 | Wheelcap back | Adflex X100 G | 8200-25.3 |
| 101 | 70820007 | 2 | Wheelcap front | Adflex X100 G | 8200-26.3 |
| 102 | 70820009 | 1 | Tube cap | Adflex X100 G | 8200-27 |
| 103 | 70200033 | 1 | Brake pedal | BKV130 | 2000-32 |
| 104 | 70820012 | 2 | Bearing bush | POM | 8200-29 |
| 105 | 80820024 | 2 | Castor Ø75 | | Manner-Ø75-Zonder rem |
| 106 | 80820023 | 2 | Castor Ø100 | | Manner-Ø100-Met rem-laag |
| 107 | | 1 | Chassis | | 8200-11.3 |
| 108 | | 1 | Leg set | | 8200-13.1 |
| 109 | | 1 | Transmitter | | 8200-15.1 |
| 110 | | 2 | Plate | | 8200-16 |
| 111 | | 2 | Bush | | 8200-18 |
| 112 | | 4 | Washer | | 8200-19 |
| 113 | | 1 | Locking plate | HMPE 500 | 8200-20 |
| 114 | | 1 | Hex socket head screw | A2 | M5x16 ISO7380 Dry-loc+Lurinox |
| 115 | | 4 | Washer M10 | A2 | M10 DIN 125 |
| 116 | | 4 | Locknut M10 | A2 | M10 DIN985 |
| 117 | | 2 | Button head screw M8x16, Dry-loc+Lurinox | A2 | M8x16 ISO7380 Dry-loc+Lurinox |
| 118 | | 2 | Cylinder head screw M10x70 | A2 | M10x70 DIN912 |
| 119 | | 2 | Countersunk head screw M10x70 | A2 | M10x70 DIN7991 |
| 120 | | 2 | Washer M8 Ø40 | A2 | Carrosseriering M8x40 |
| 121 | | 4 | Ball bearing Hinge | | radial ball bearing_68_din |
| 122 | | 2 | Ball bearing pedal | | radial ball bearing_68_din |
| 123 | | 4 | Flanged Slide bearing 8x11x6 | PA | 08x11x07 |
| 124 | | 4 | Washer M8 | PA | M8 DIN 125 PA |
| 125 | | 4 | Countersunk head screw M6x55 | A2 | M6x55 DIN7991 |
| 126 | | 4 | Locknut M6 | A2 | M6 DIN985 |
| 127 | | 4 | Quick lock for axles Ø8 | A2 | Snelborger 8mm 51445.080.001 |



| | | | |
|---------|-------|------|------------|
| Signed | KA | Date | 19-10-2023 |
| Revised | 1 /KA | Date | 31-07-2024 |
| Revised | - /KA | Date | - |

Copyright reserved by law

Unit of measurement: mm

Overview parts Lotus

Lopital Nederland bv

Draw.no. 8200-EV.1